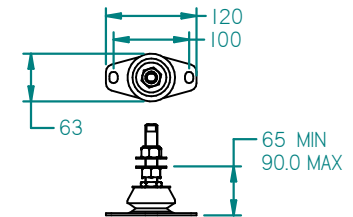
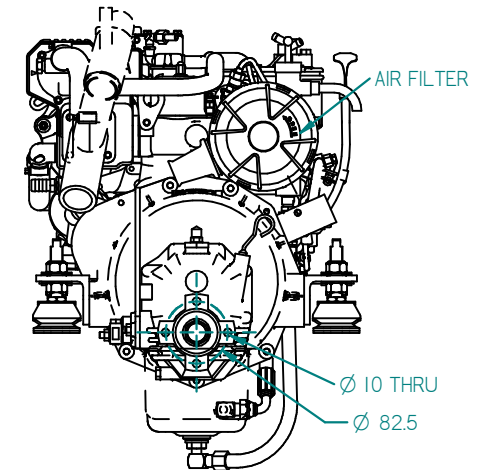
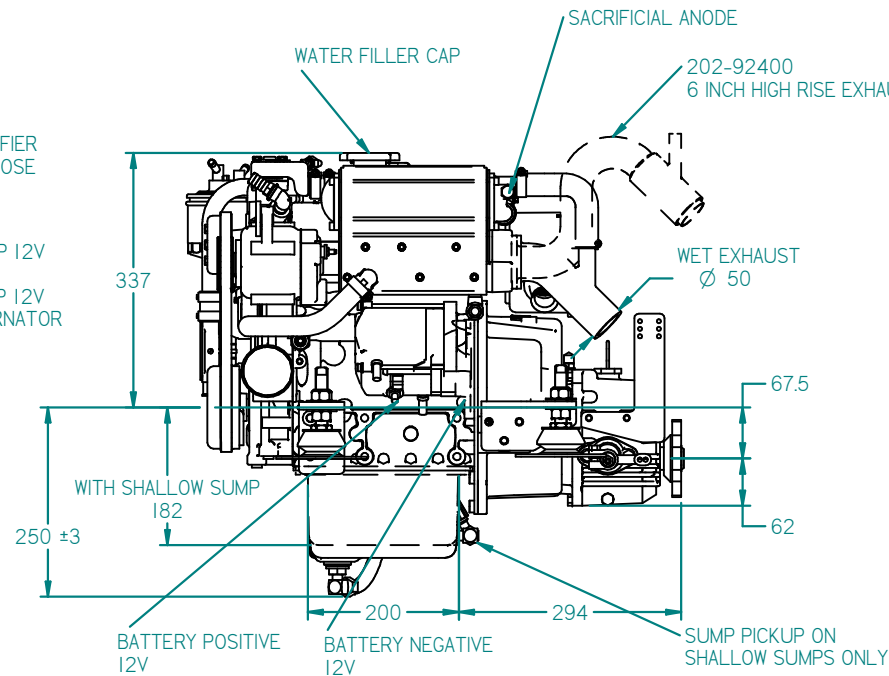
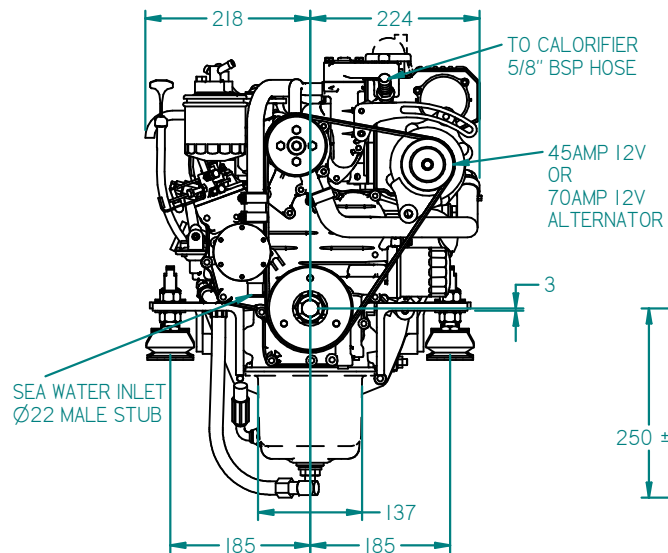
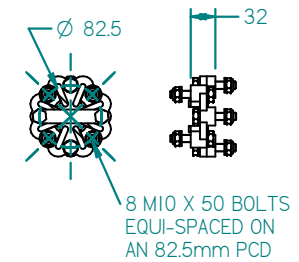


FLEXIBLE MOUNT DETAILS



FLEXIBLE COUPLING DETAILS



| REV | DESCRIPTION | DATE | APP'D | DRAWN | NOTES | TITLE: |
|--|-------------|------|-------|-------|-------|---|
| 01 | | | | | | BD722 HEAT EXCHANGE TMC40 GEARBOX |
| DIMENSIONS IN MM (INCH) DO NOT SCALE | | | | | | PART FILE NAME: 100-99610 04 BD722 HE TMC40.asm |
| | | | | | | DRAWN BY: TW CHECKED BY: LT |
| BETA MARINE LTD. DAVY WAY, WATERWELLS, QUEDGELEY, GLOUCESTER. GL2 2AD, UK TEL: (01452) 723492 FAX: (01452) 729916 | | | | | | SIZE A4 DWG NO: 100-99610 SCALE NTS PAGE 1 of 1 DATE 17/01/2011 |
| | | | | | | REV 04 |