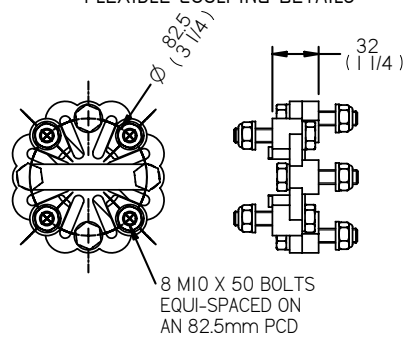
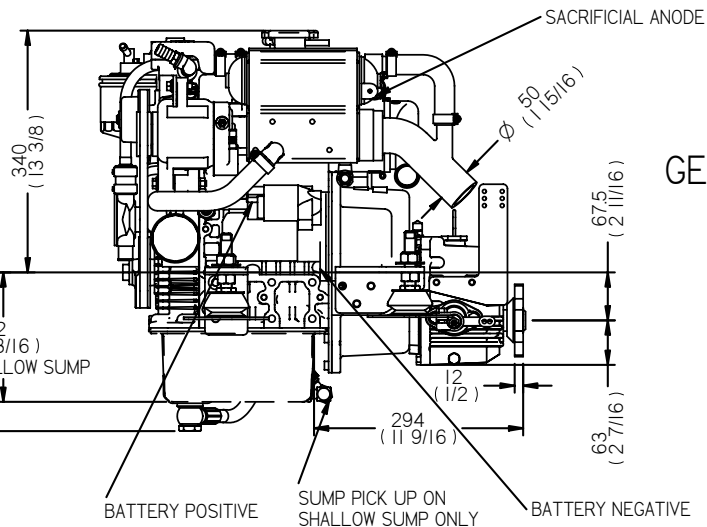
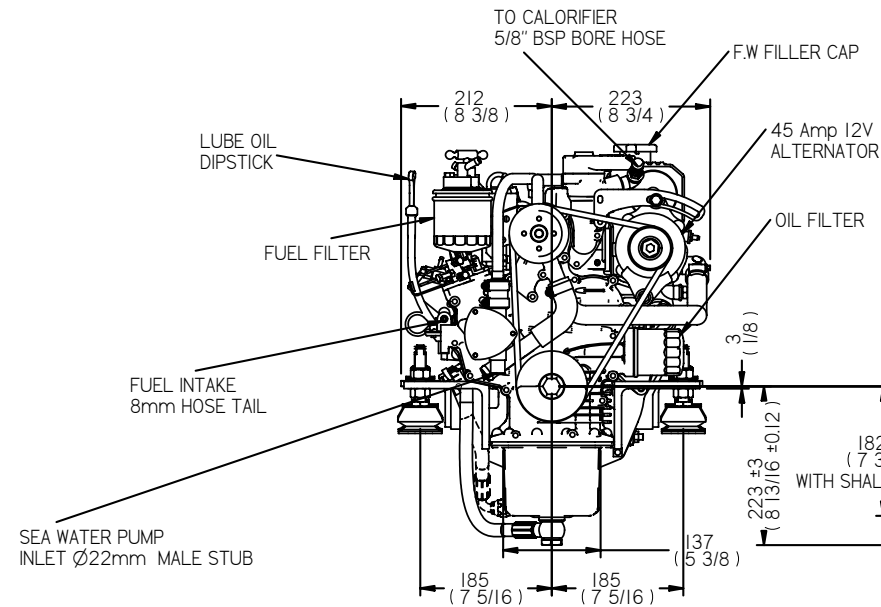
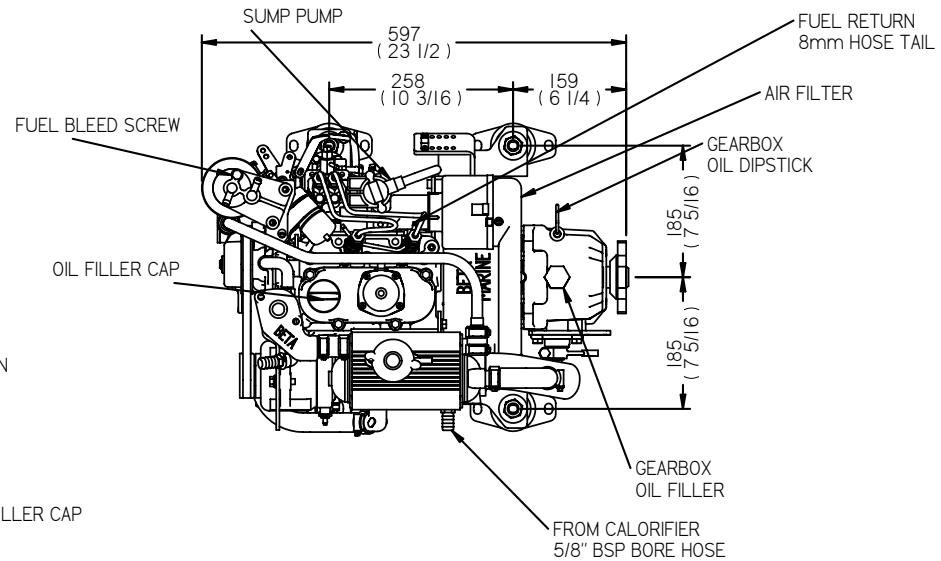
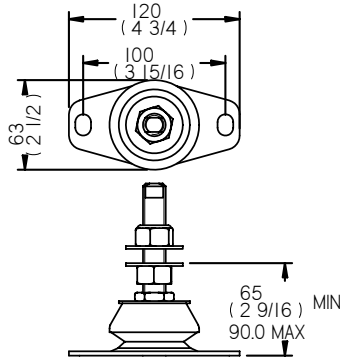


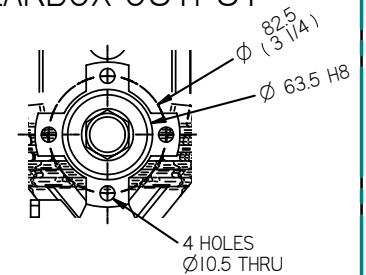
FLEXIBLE COUPLING DETAILS



FLEXIBLE MOUNT DETAILS



GEARBOX OUTPUT



REV	DESCRIPTION	DATE	APP'D	DRAWN	NOTES
01					

DIMENSIONS IN MM (INCH)
DO NOT SCALE

BETA MARINE LTD.
MERRETT'S MILLS,
BATH ROAD,
SOUTH WOODCHESTER,
STROUD, GLOS. GL5 5EU

TEL: (01453) 835282 FAX: (01453) 835284

TITLE **BETA 16 (BZ602) HEAT EXCHANGE
TMC40 GEARBOX**

DRAWN BY: timw SIZE A4 DWG NO. **100-06496** REV 00

CHECKED BY: SCALE PAGE 1 of 1 DATE 13/08/2007