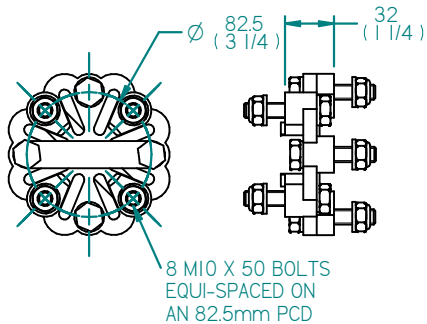
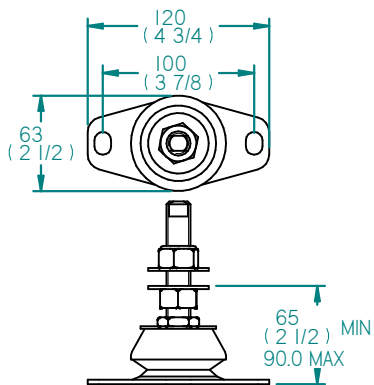


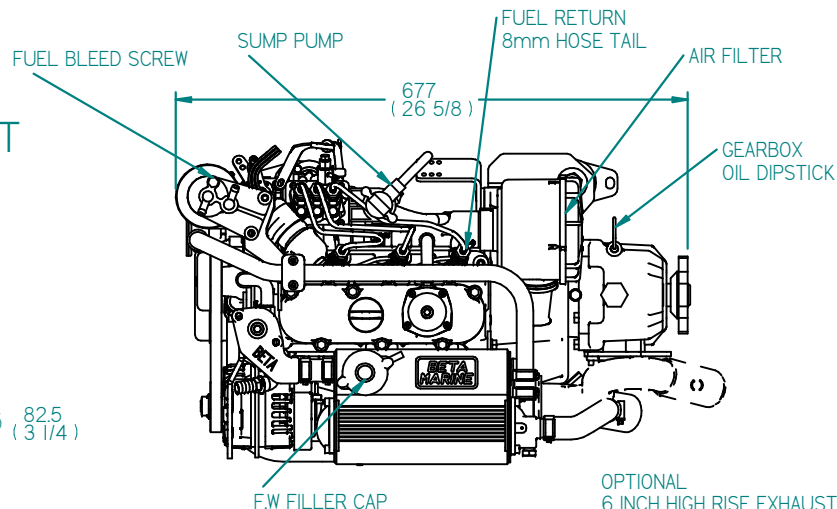
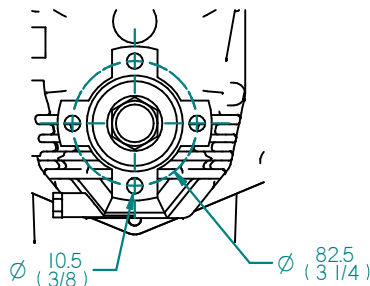
FLEXIBLE COUPLING DETAILS



FLEXIBLE MOUNT DETAILS



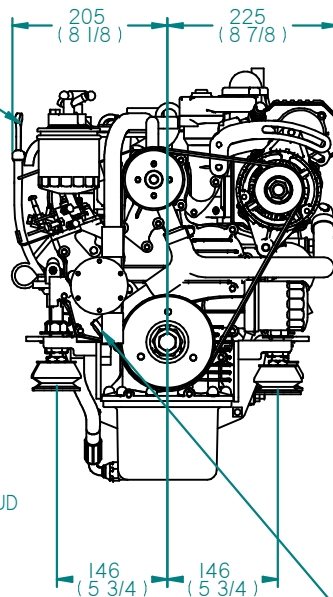
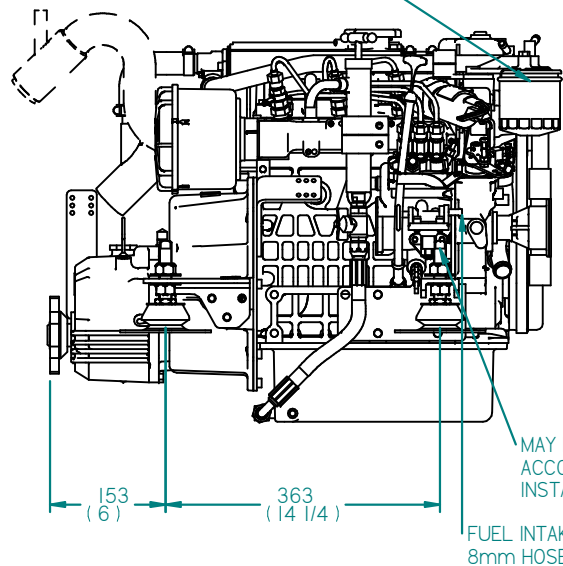
GEARBOX OUTPUT



OPTIONAL
 6 INCH HIGH RISE EXHAUST
 202-92400

FUEL FILTER

LUBE OIL
 DIPSTICK

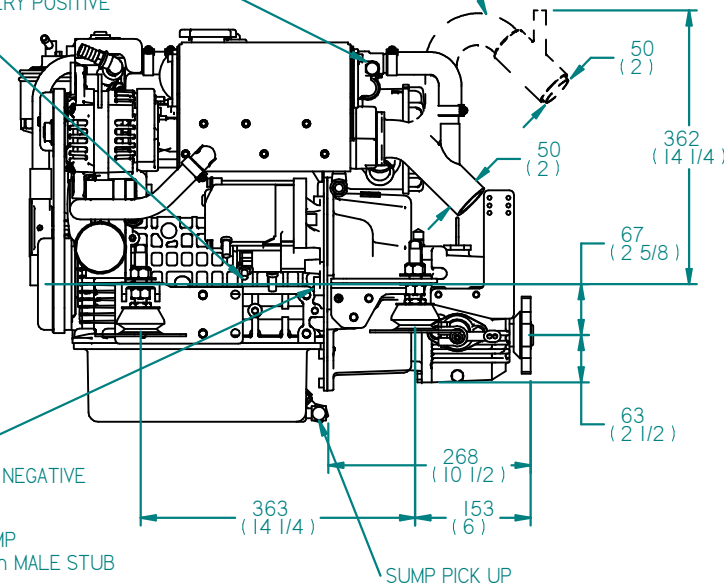


BATTERY POSITIVE

SACRIFICIAL ANODE

BATTERY NEGATIVE

SEA WATER PUMP
 INTAKE Ø22mm MALE STUB



REV	DESCRIPTION	DATE	APP'D	DRAWN	NOTES
01					

TITLE:
**BETA 25 HEAT EXCHANGE TMC40
 WITH ATOMIC FEET**

DIMENSIONS IN MM (INCH)
 DO NOT SCALE



PART FILE NAME: 100-06625 BETA25 HE TMC40 ATOMIC.asm

BETA MARINE

BETA MARINE LTD,
 DAVY WAY,
 WATERWELLS,
 QUEDGELEY,
 GLOUCESTER. GL2 2AD, UK

DRAWN BY: TW
 CHECKED BY: LT

SIZE A4
 SCALE NTS

DWG NO: 100-06625

REV 01

PAGE 1 of 1

DATE 29/09/2012

TEL: (01452) 723492

FAX: (01452) 729916