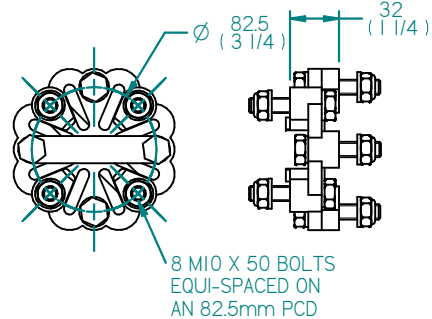
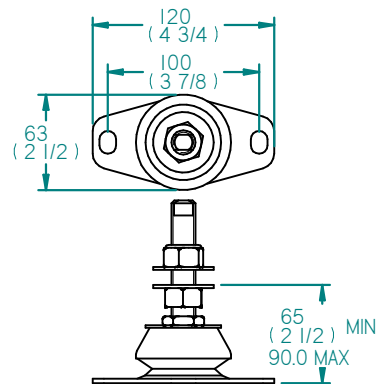


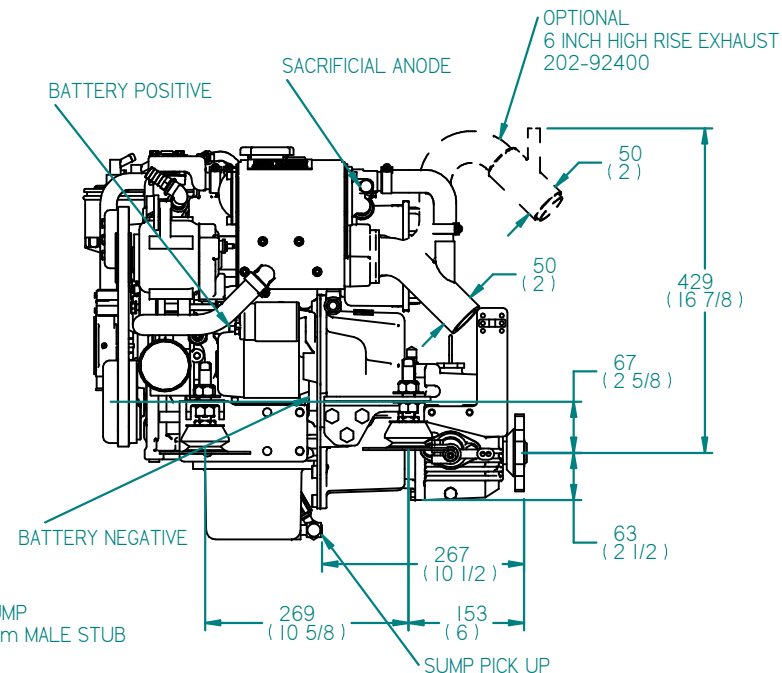
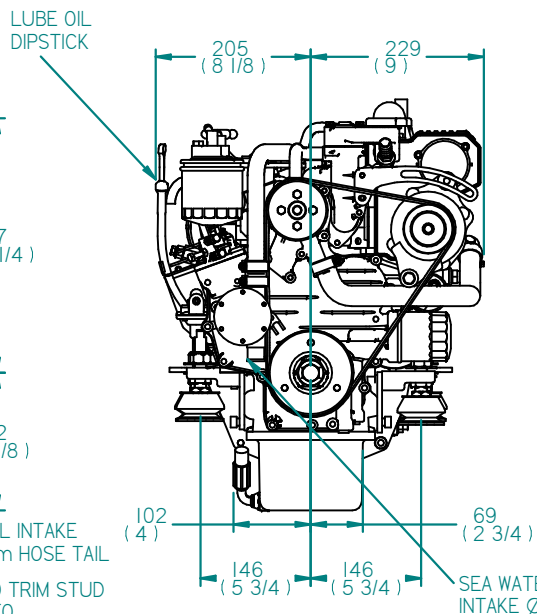
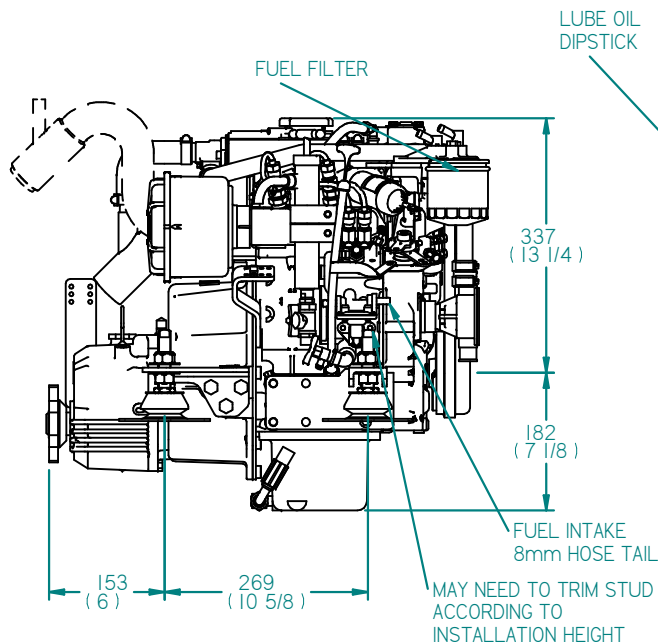
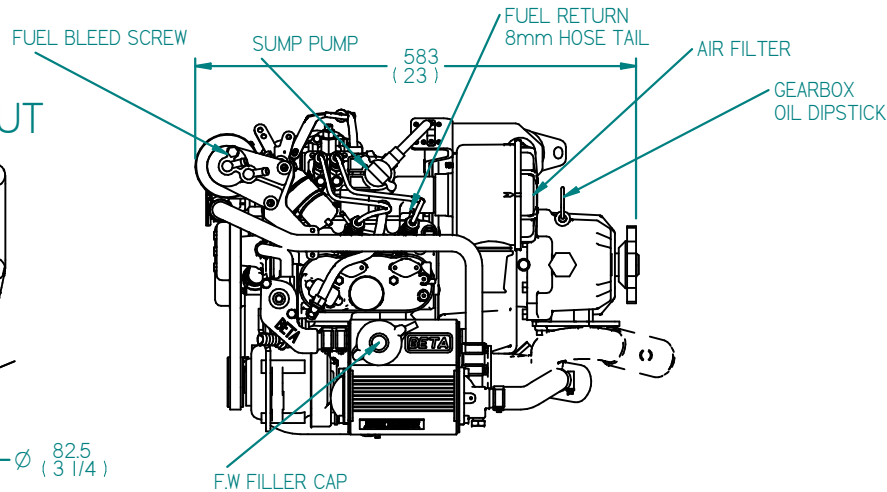
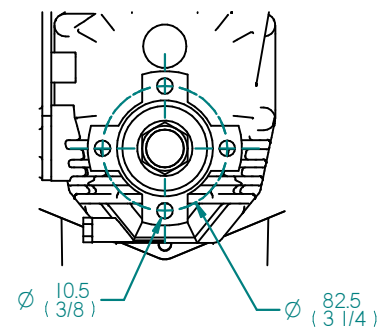
FLEXIBLE COUPLING DETAILS



FLEXIBLE MOUNT DETAILS



GEARBOX OUTPUT



REV	DESCRIPTION	DATE	APP'D	DRAWN	NOTES
01	FUEL FILTER, H/E TANK AND AIR FILTER	01/10/01	LT	TW	
02	CALORIFIERS AND TIER2 CLOSED BREATHER	27/03/07	LT	TW	
03	CHANGED REAR FEET	30/03/12	LT	TW	
04	NEW HEADER TANK	28/09/12	LT	TW	

DIMENSIONS IN MM (INCH) DO NOT SCALE		PART FILE NAME: 100-08615 BETA 10-14 HE TMC40 ATOMIC.asm	
---	--	--	--

TITLE: BETA 10-14 HEAT EXCHANGE TMC40 WITH ATOMIC FEET			
--	--	--	--

		DRAWN BY: TW		SIZE: A4	DWG NO: 100-08615	REV: 04
		CHECKED BY: LT		SCALE: NTS	PAGE: 1 of 1	DATE: 28/09/2012