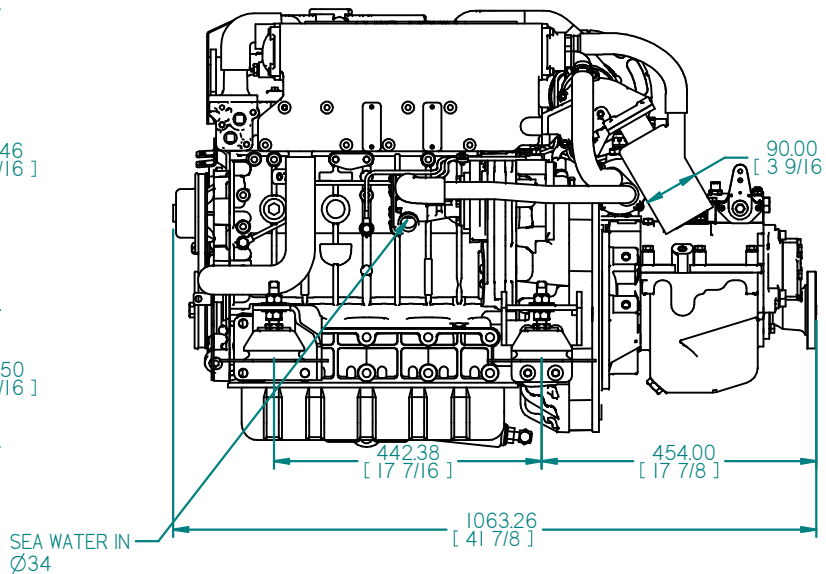
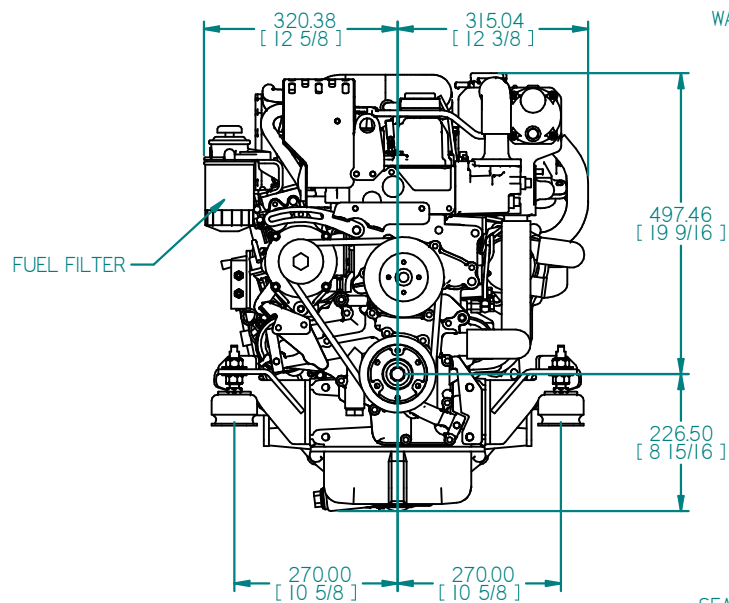
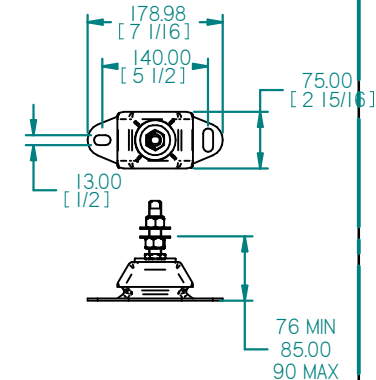
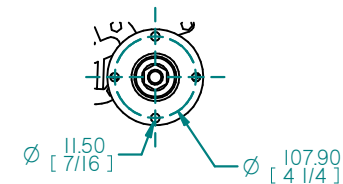


### FLEXIBLE MOUNT



### OUTPUT FLANGE



REV	DESCRIPTION	DATE	APP'D	DRAWN	NOTES
01					

TITLE:	<b>BETA 85HE PRM260C GEARBOX</b>		
--------	--------------------------------------	--	--

DIMENSIONS IN MM (INCH) DO NOT SCALE		PART FILE NAME: 100-10976 Beta85HE PRM260C.asm		DRAWN BY: <b>JLT</b>		SIZE: <b>A4</b>	DWG NO: <b>100-10976</b>		REV: <b>00</b>
<b>BETA MARINE</b>		BETA MARINE LTD, DAVY WAY, WATERWELLS, QUEDGELEY, GLOUCESTER. GL2 2AD, UK		CHECKED BY: <b>TW</b>		SCALE: <b>NTS</b>	PAGE: <b>1 of 1</b>	DATE: <b>13/07/2017</b>	
TEL: (01452) 723492		FAX: (01452) 729916							