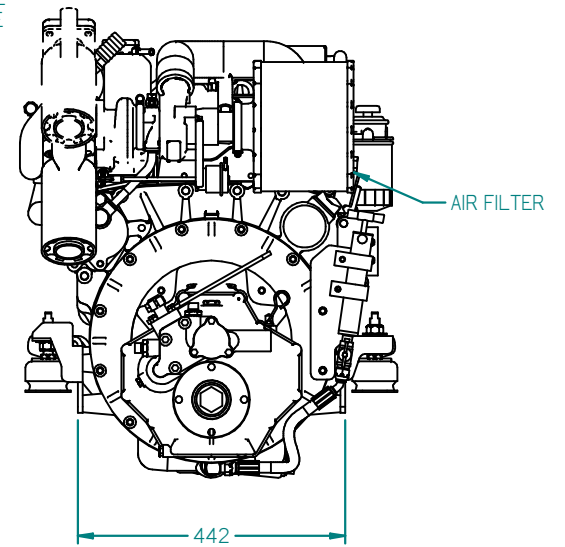
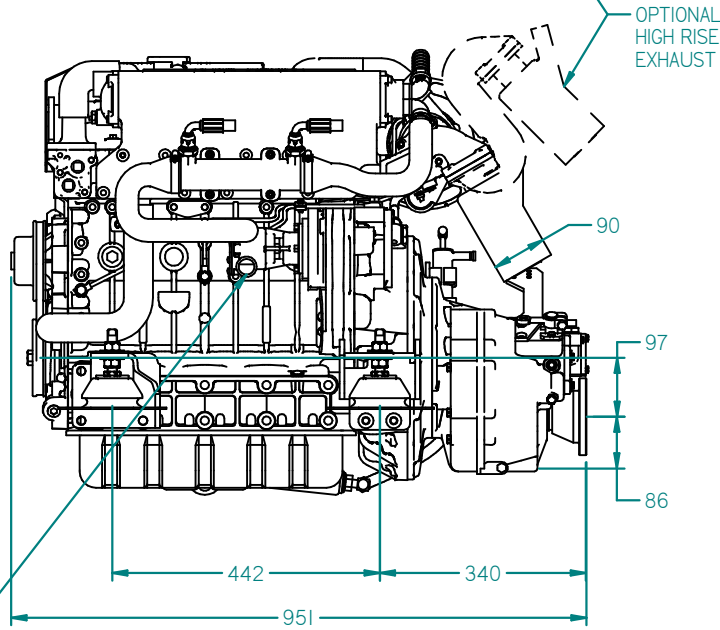
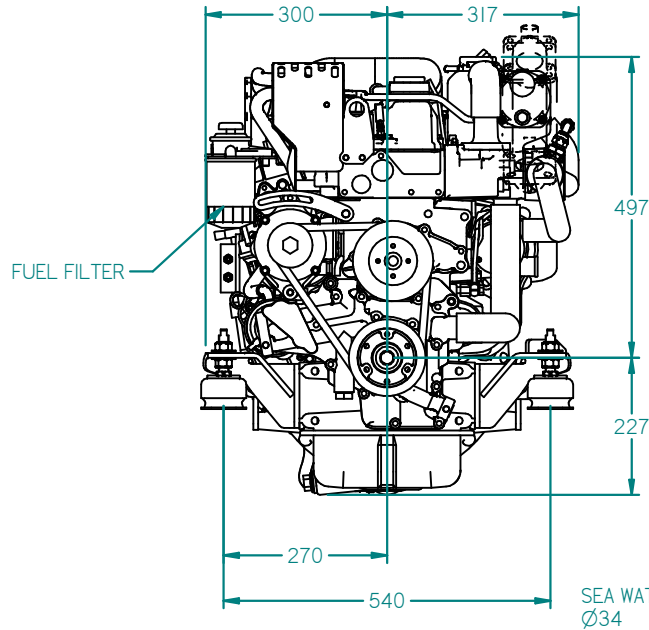
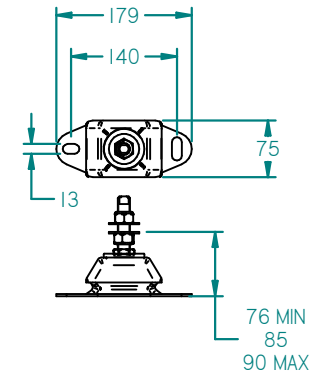


FLEXIBLE MOUNT



REV	DESCRIPTION	DATE	APP'D	DRAWN
01	MOVE FUEL FILTER AND SUMP PUMP	16/06/15	LT	TW

NOTES 359kg DRY WEIGHT

DIMENSIONS IN MM (INCH) DO NOT SCALE

PART FILE NAME: BETA80 BASE.asm

TITLE: BETA85 HEAT EXCHANGE TM345 GEARBOX

BETA MARINE

TEL: (01452) 723492 FAX: (01452) 729916

BETA MARINE LTD,
DAVY WAY,
WATERWELLS,
QUEDGELEY,
GLOUCESTER. GL2 2AD, UK

DRAWN BY: TW	SIZE A4	DWG NO: 100-10180	REV 01
CHECKED BY: LT	SCALE NTS	PAGE 1 of 1	DATE 26/03/2015