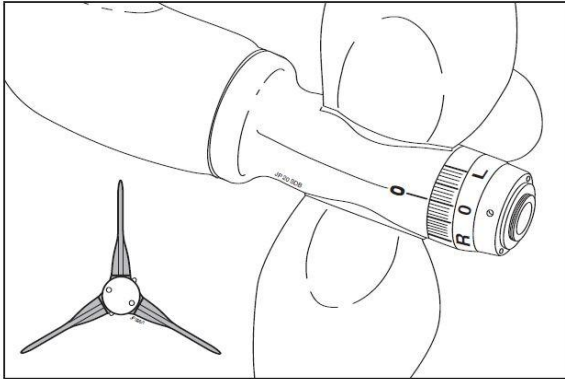
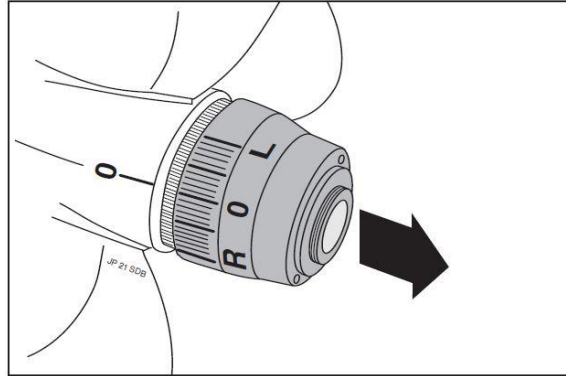


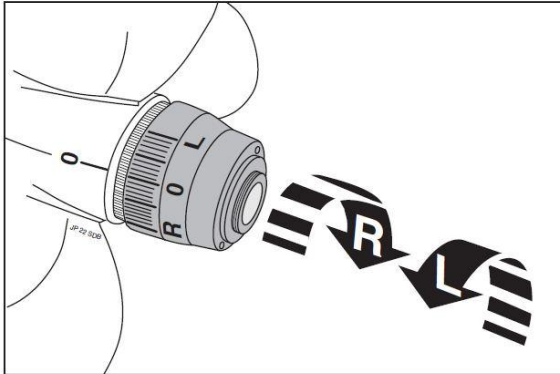
JProp Easy Pitch Adjustment



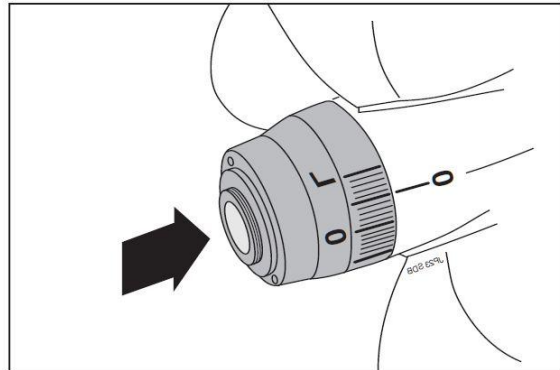
put the propeller's blade in feathering position.



pull the ogival nose.



Turn the ogival nose towards the «R» or «L» side depending on the type of engine (rightway or leftway) and reach the notch of the desired pitch.



release the ogival nose.
make sure that the reference line «0» matches the desired notch.

make sure that the ogival nose backs itself firmly against the prop's body.

Full instructions are located in the owners manual.