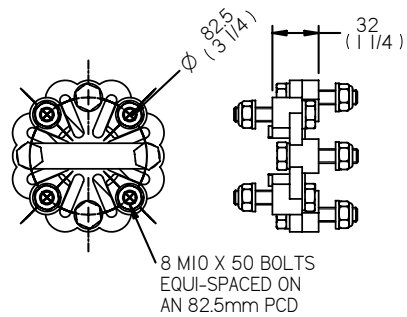
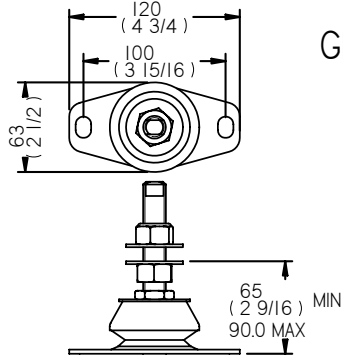


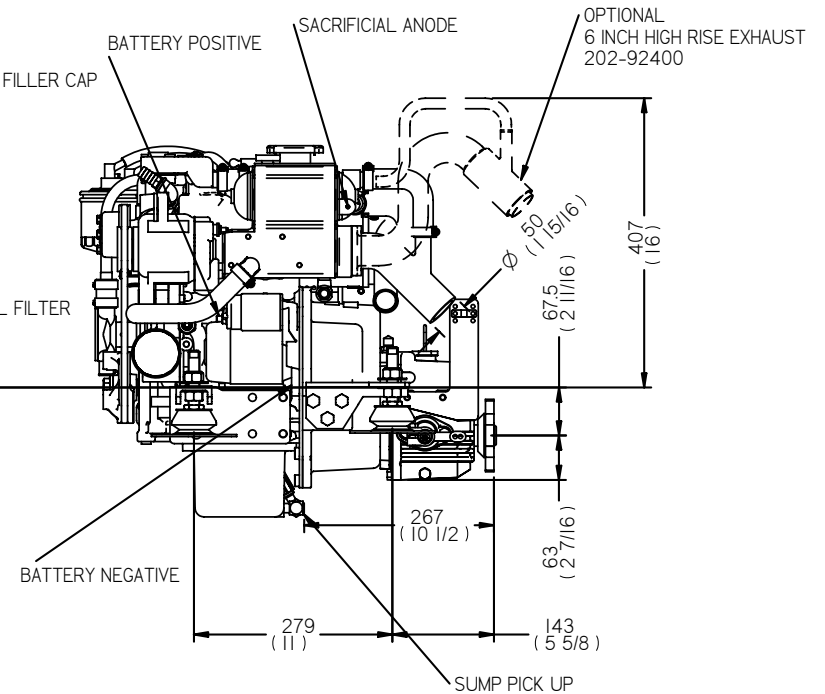
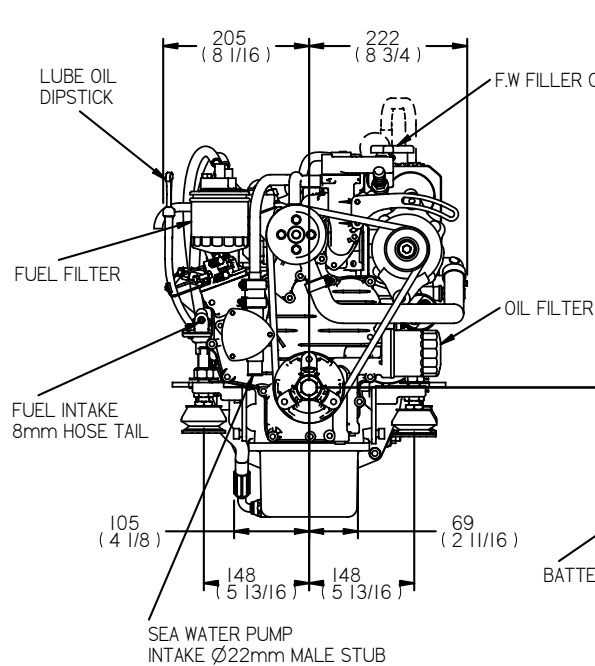
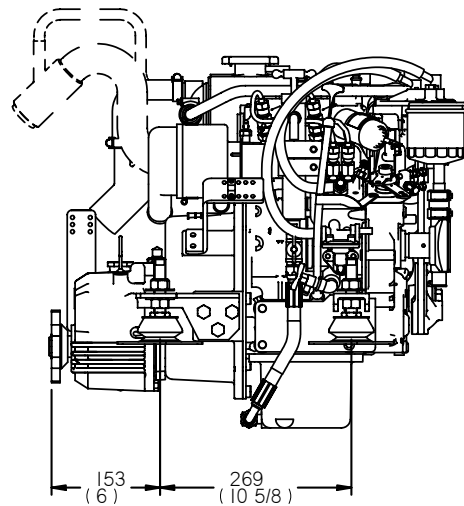
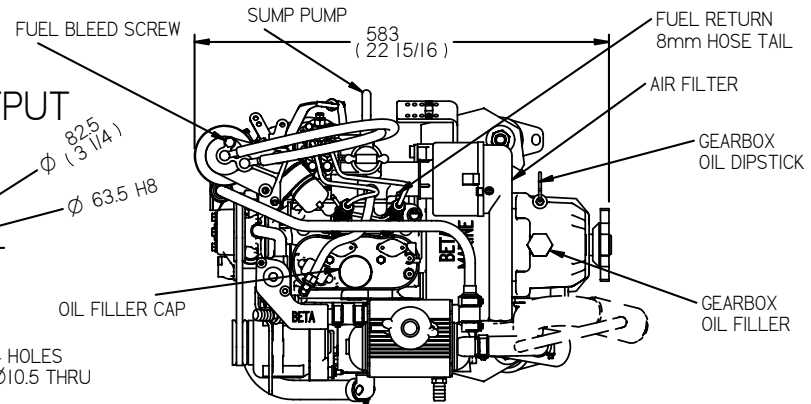
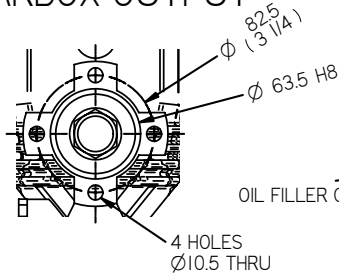
FLEXIBLE COUPLING DETAILS



FLEXIBLE MOUNT DETAILS



GEARBOX OUTPUT



REV	DESCRIPTION	DATE	APP'D	DRAWN
01	FUEL FILTER, H/E TANK AND AIR FILTER	01/10/01	LT	TW
02	CALORIFIERS AND TIER2 CLOSED BREATHER	27/03/07	LT	TW

NOTES: Measurements are in: mm (Inch to the closest 1/16)

TITLE: BZ482 HEAT EXCHANGE TMC40
ATOMIC FEET

DIMENSIONS IN MM (INCH) DO NOT SCALE

BETA MARINE

BETA MARINE LTD.
DAVY WAY,
WATERWELLS,
QUEDGELEY,
GLOUCESTER, GL2 2AD, UK

TEL: (01452) 723492 FAX: (01452) 729916

MATL:

DRAWN BY: TW
CHECKED BY: LT

SIZE: A4
SCALE: NTS

DWG NO: 100-01973
PAGE: 1 of 1

REV: 02
DATE: 04/04/2007