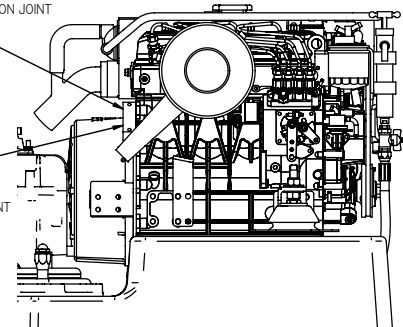
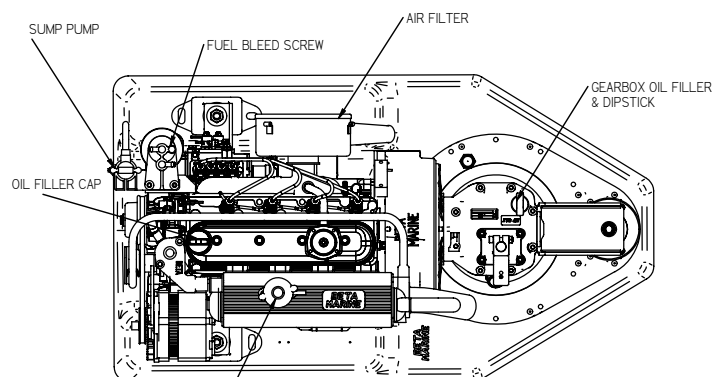


FUEL RETURN
8mm COMPRESSION JOINT

FUEL INTAKE
8mm COMPRESSION JOINT



VIEW FROM OTHER SIDE



SUMP PUMP

FUEL BLEED SCREW

AIR FILTER

GEARBOX OIL FILLER
& DIPSTICK

OIL FILLER CAP

SUMP PUMP

FUEL FILTER

FW FILLER CAP

65 Amp 12V
ALTERNATOR

OIL FILTER

SEA WATER PUMP
INLET Ø22mm MALE STUB

228.5
(9)

264.6
(10 7/16)

369.2
(14 9/16)

225.0
(8 7/8)

225.0
(8 7/8)

610.6
(24 1/16)

LUBE OIL
DIPSTICK

WATER FILLER CAP

BATTERY POSITIVE

SACRIFICIAL ANODE

BATTERY NEGATIVE

771.0
(30 3/8)

410.0
(16 1/8)

195.3
(7 11/16)

759.0
(29 7/8)

000000

314.3
(12 3/8)

REV	DESCRIPTION	DATE	APP'D	DRAWN
01				

NOTES		TITLE:	
		BETA 35/38 (BV1305/BV1505) HURTH SD10 SAILDRIVE	
DIMENSIONS IN MM (INCH) DO NOT SCALE		PART FILE NAME: 100-07295 BV1505 HE ZF SD10 SAILDRIVE.asm	
		DRAWN BY: TW CHECKED BY: LT	SIZE: A3 DWG NO: 100-07295 SCALE: NTS PAGE: 1 of 1 DATE: 08/01/2008
BETA MARINE LTD. DAVY WAY, WATERWELLS, QUEDGELEY, GLOUCESTER: GL2 2AD, UK TEL: (01452) 723492 FAX: (01452) 729916		REV: 00	