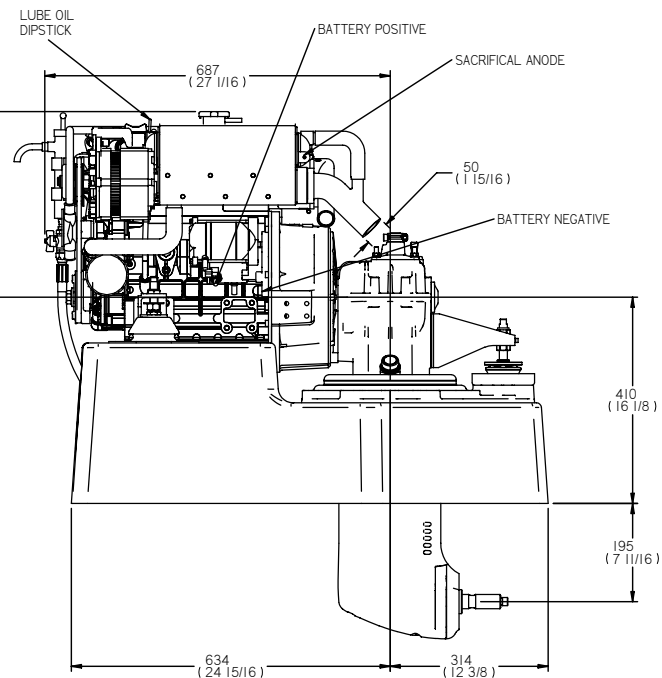
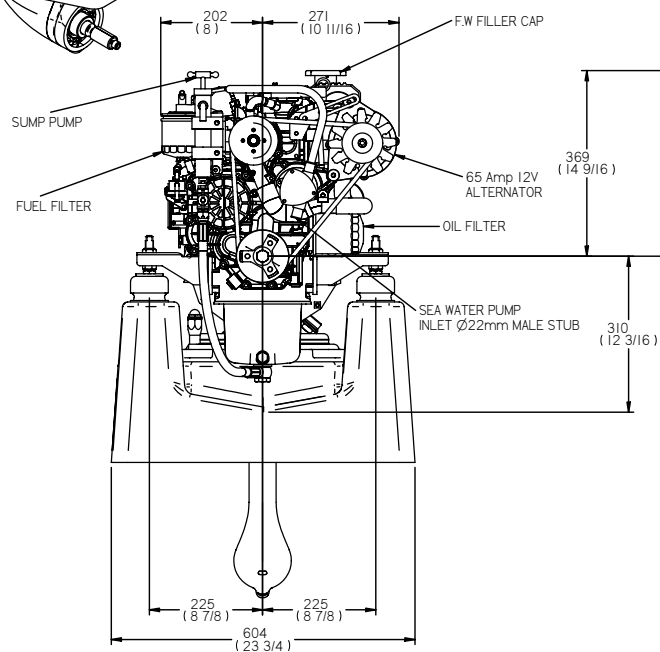
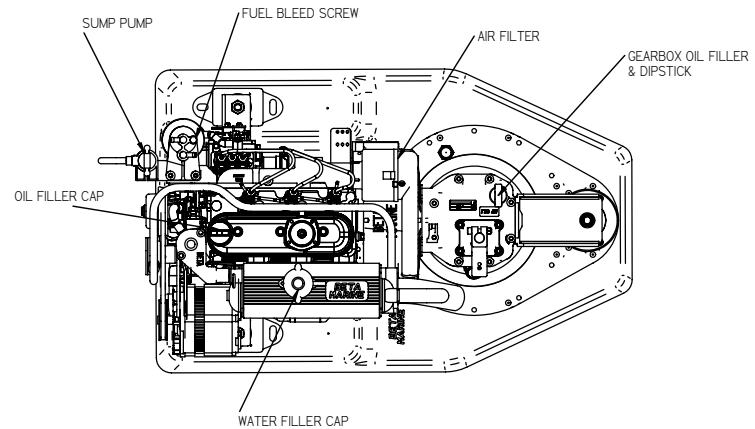


VIEW FROM FUEL SIDE



REV	DESCRIPTION	DATE	APP'D	DRAWN
01				

NOTES

TITLE **BETA 28 (BD1005) HEAT EXCHANGE HURTH SD10 IN BASE**

DIMENSIONS IN MM (INCH) DO NOT SCALE

MATL:

**BETA MARINE**

BETA MARINE LTD.  
HERRETT'S MILLS,  
BATH ROAD,  
SOUTH WOODCHESTER,  
STROUD, GLOS. GL5 2EU

DRAWN BY: TW  
CHECKED BY: LT

SIZE A3  
SCALE NTS

DWG NO. 100-07149  
PAGE 1 of 1

REV 01  
DATE 05/10/2007