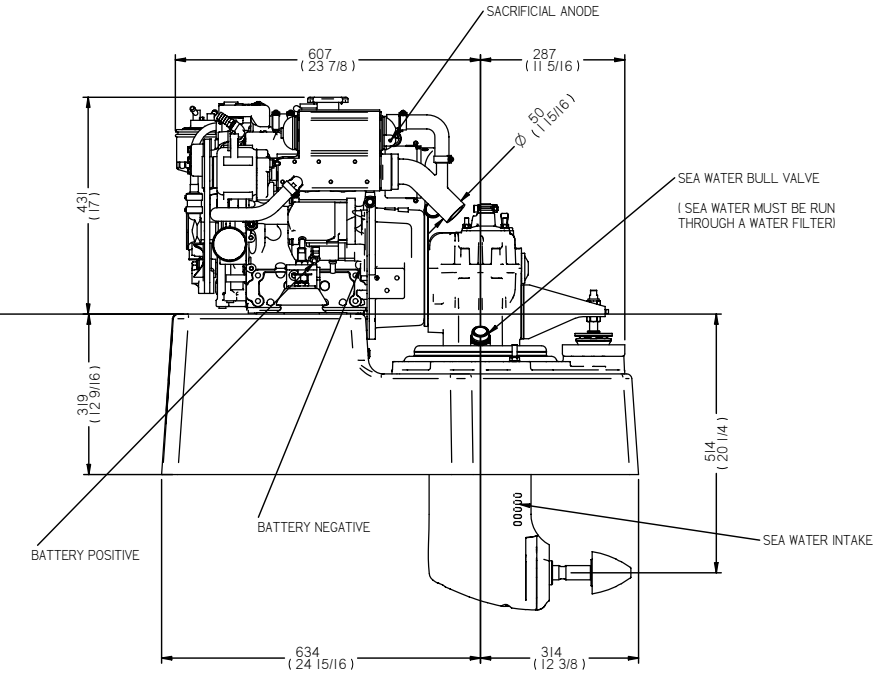
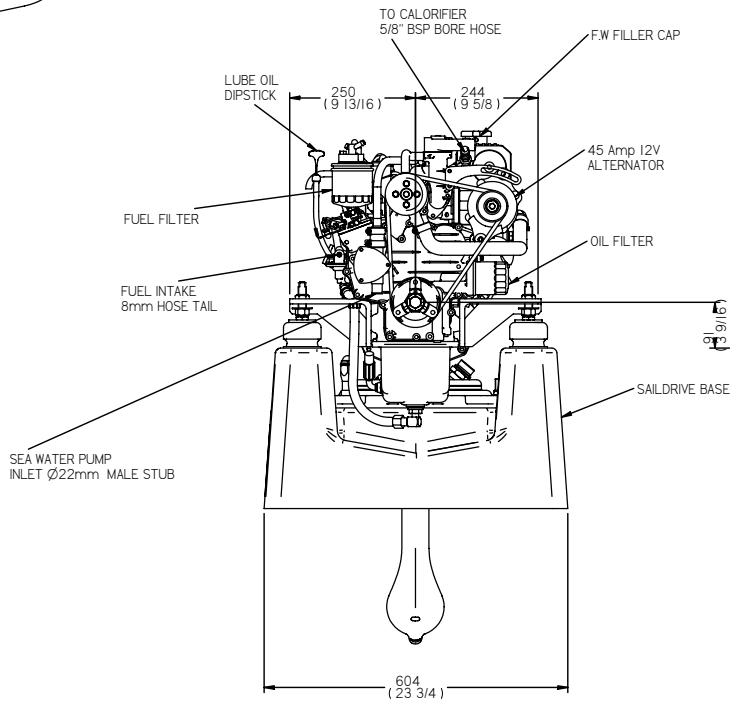
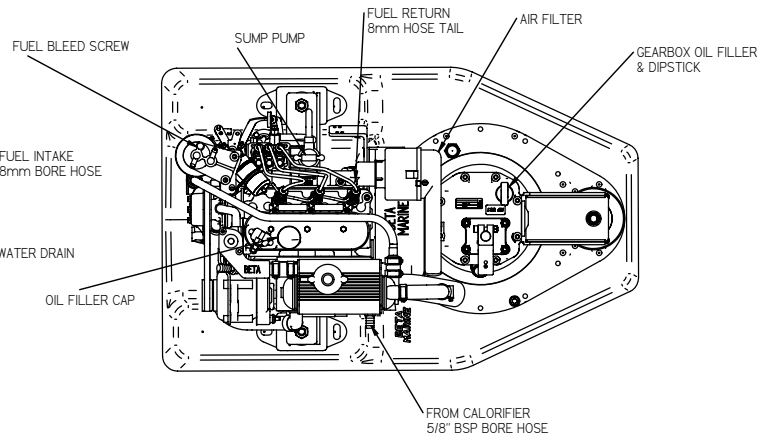


VIEW FROM FUEL SIDE



| REV | DESCRIPTION | DATE | APP'D | DRAWN |
|-----|-------------|------|-------|-------|
| 01 | | | | |
| | | | | |
| | | | | |
| | | | | |
| | | | | |
| | | | | |
| | | | | |
| | | | | |
| | | | | |

| | | | |
|---|---------------------|--|-------------------|
| NOTES | | TITLE | |
| | | BETA 20 (BD722) HEAT EXCHANGE ZF SD10 SAILDRIVE LEG | |
| DIMENSIONS IN MM (INCH) DO NOT SCALE | | DRAWN BY: TW | SIZE A3 |
| | | CHECKED BY: LT | DWG NO. 100-06901 |
| | | SCALE NTS | PAGE 1 of 1 |
| TEL: (01453) 835282 | FAX: (01453) 835284 | DATE | 05/10/2007 |